

Smallest motion sensor (all in one) on the market!
Lowest power consumption - just 0.4 watts, ultra-light - just 25g.
Simply put into operation using Casambi.

The motion sensor contains a PIR and a light sensor for the detection of motion both indoors and outdoors. The sensor is IP44 protected.

As a Casambi-ready product, it is integrated directly into the Casambi system.

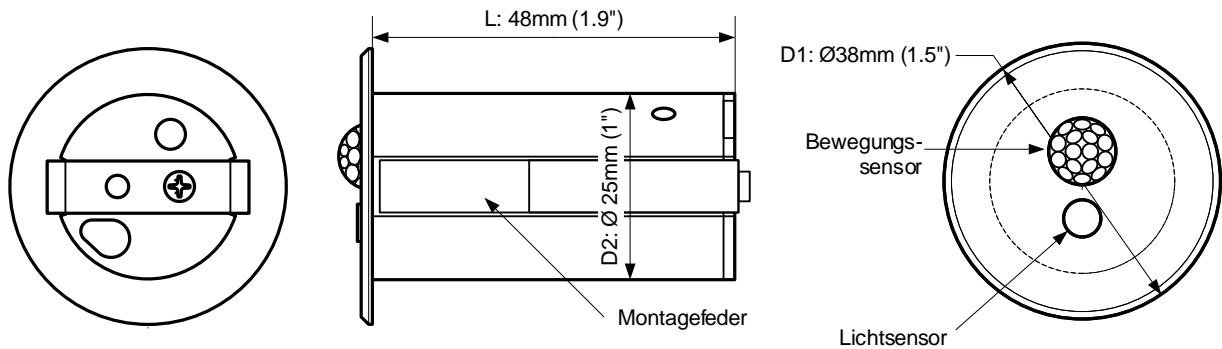
With the integrated sensors, it is possible to automatically switch a light source, a group of lights, entire light scenarios, shows or complete Casambi networks by means of measured movement, or by means of freely selectable Lux values. Furthermore, it is thus possible to implement complete daylight harvesting, i.e. utilisation of the different luminosities during the day and the synchronous control of the lights with a view to conserving energy.

All settings and runtimes can be practically and quickly configured using the Casambi app.

The motion sensor of the LIGA.AIR.SP.12-24 when used in conjunction with Casambi results in considerable reductions in energy consumption by only using light when necessary. In addition, the Follow-Me, Swarm-Control and Active / Standby solutions for applications in office, industry, retail, hospitality, outdoor and home and home settings can also be implemented.

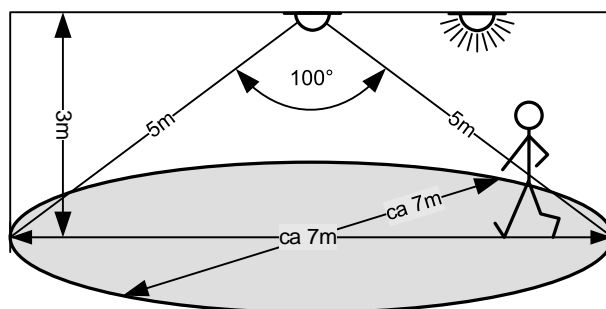
The extremely compact housing design enables simple installation (25mm drilled hole) at any point in the room, e.g. in false ceilings and walls, and requires just a 12-24V ACDC power supply.

Dimensional drawing



Technical specifications:

Dimensions (L x D1 x D2)	48mm (1.5") x \varnothing 38mm (1.9") x \varnothing 25mm (1")
Weight	25g (without packaging)
Colours	Housing white, black and grey
Mounting	In mounting hole with \varnothing 25mm-27mm (1")
Environmental conditions	In operation: Temperature -20 ... 50°C, Humidity < 85%rH In storage, transport: Temperature -25 ... 65°C, Humidity < 95%rH
Protection type	IP44 (Front)
Connections	Flex 2 x 0.5 mm ² (AWG30), Approx. length 300mm: Red: 12-24V AC or DC Red: 12-24V AC or DC
Power supply	12-24V AC or DC
Power consumption / draw	max. 0.4W
Standards	EN 60669-2-1 / EN 61000-6-3 / EN 61000-6-2 WEEE and RoHS
Sensor measurement range / angle	max. 5m / 100° (horizontal)
Sensor detection zones	64 zones
Activation times	Configurable using the Casambi app
Twilight settings	Configurable using the Casambi app
Applications	Safety technology, movement detection, automatic light control, energy-saving etc.
Scope of delivery	1 motion sensor



IP44

