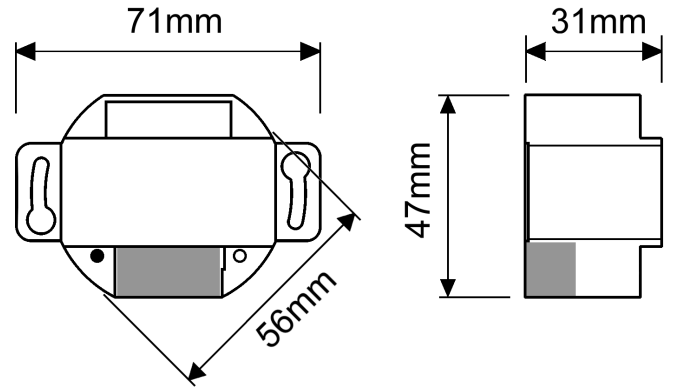


# ACTIONNEUR DE VOLET UP / DOWN



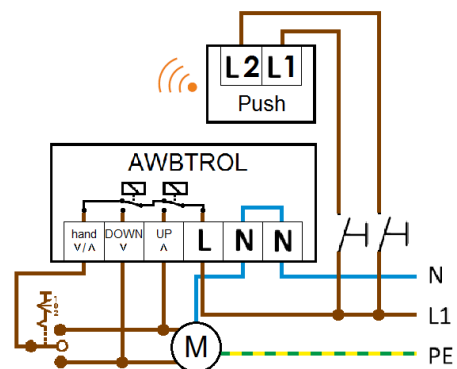
CASAMBI  
READY

CE

## Technical data

Part no.	<b>SR-0839</b>
Type	AWBTROL
Supply voltage	130..240 Vac
Frequency	50..60 Hz
Switched voltage	max. 240 Vac
Switched current	max. 16 A Motor Load
Radio signal	2,4..2,483 GHz, 4 dBm
Ambient temperature (ta)	0..+50 °C
Rated max. temperature (tc)	70 °C
Dimensions	71 x 47 x 31 mm

- Actuators to control electric shutters and blinds
- 5 profiles selectable for shutters and blinds with tiltable slats, via profile selectable when unpaired
- Height and angle of slats continuously adjustable with button and slider
- Additionally two freely programmable push button inputs, usable in the Casambi network
- Operated by smart device (Apple, Android) with the Casambi app
- Integrated antenna (drawing: grey marking, do not cover with metal case)
- Built-in device, for flush mounted box
- Protect each relay and supply input with fuse 10 A!
- With push button for functional test (push with voltage tester or similar) Repeated press:



Switching pattern		LED	
Relais ▲	UP	● green	green
Relais ▲	STOP	○ off	off
Relais ▼	DOWN	● red	red
Relais ▼	STOP	○ off	off