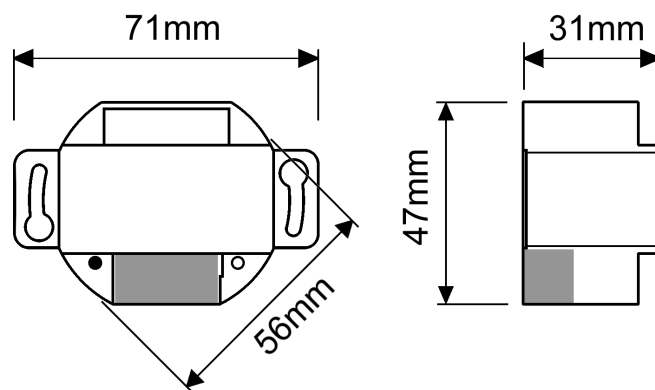


MODULE RELAIS 2 X 16A



CASAMBI
READY

CE

Technical data	
Part no.	SR-0888
Type	AWBT2R
Supply voltage	130..240 V
Frequency	50..60 Hz
Switched voltage	max. 240Vac
Switched current	2x max. 16A
Inrush current relay	max. 165A 20ms
Radio signal	2,4..2,483 GHz, 4 dBm
Ambient temperature (ta)	0..+50 °C
Rated max. temp. (tc)	70 °C
Dimensions	71 x 47 x 31 mm

- Actuator with two independent relays, potential free
- Operated by smartphone or tablet (Apple, Android) with the Casambi app
- For loads esp. with high inrush currents (LED power supplies)
- Integrated antenna
(drawing: grey marking, do not cover with metal case)
- Device built-in, flush mounted
- Protect each relay and supply input with fuse 16A!
- With push key for functional test (push with voltage tester or similar)

Repeated press:

relay 1	relay 2	signal LED
on	off	green
off	off	off
off	on	red
off	off	off
on	on	red+green
off	off	off

